

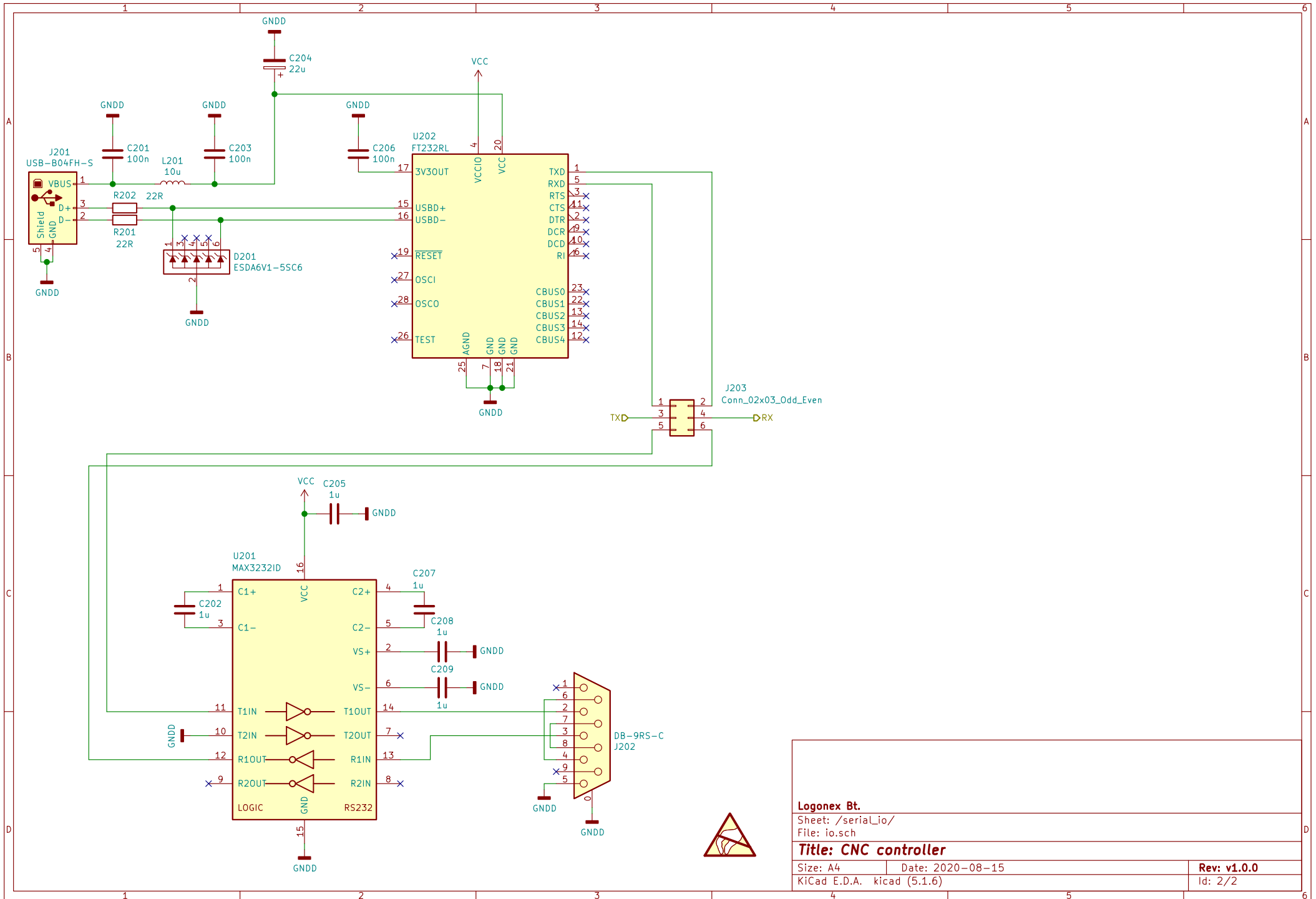
Sheet: serial_io
File: io.sch

- H101 Mounting Hole
- H102 Mounting Hole
- H103 Mounting Hole
- H104 Mounting Hole

MCU_RESET
SP_PWM
LZ
SP_DIR

J113 NCV200S-06S

Logonex Bt.	
Sheet: /	
File: grbL_controller.sch	
Title: CNC controller	
Size: A4	Date: 2020-08-15
KiCad E.D.A. kicad (5.1.6)	Rev: v1.0.0
	Id: 1/2



Logonex Bt.	
Sheet: /serialIo/	
File: io.sch	
Title: CNC controller	
Size: A4	Date: 2020-08-15
KiCad E.D.A. kicad (5.1.6)	Rev: v1.0.0
	Id: 2/2

